

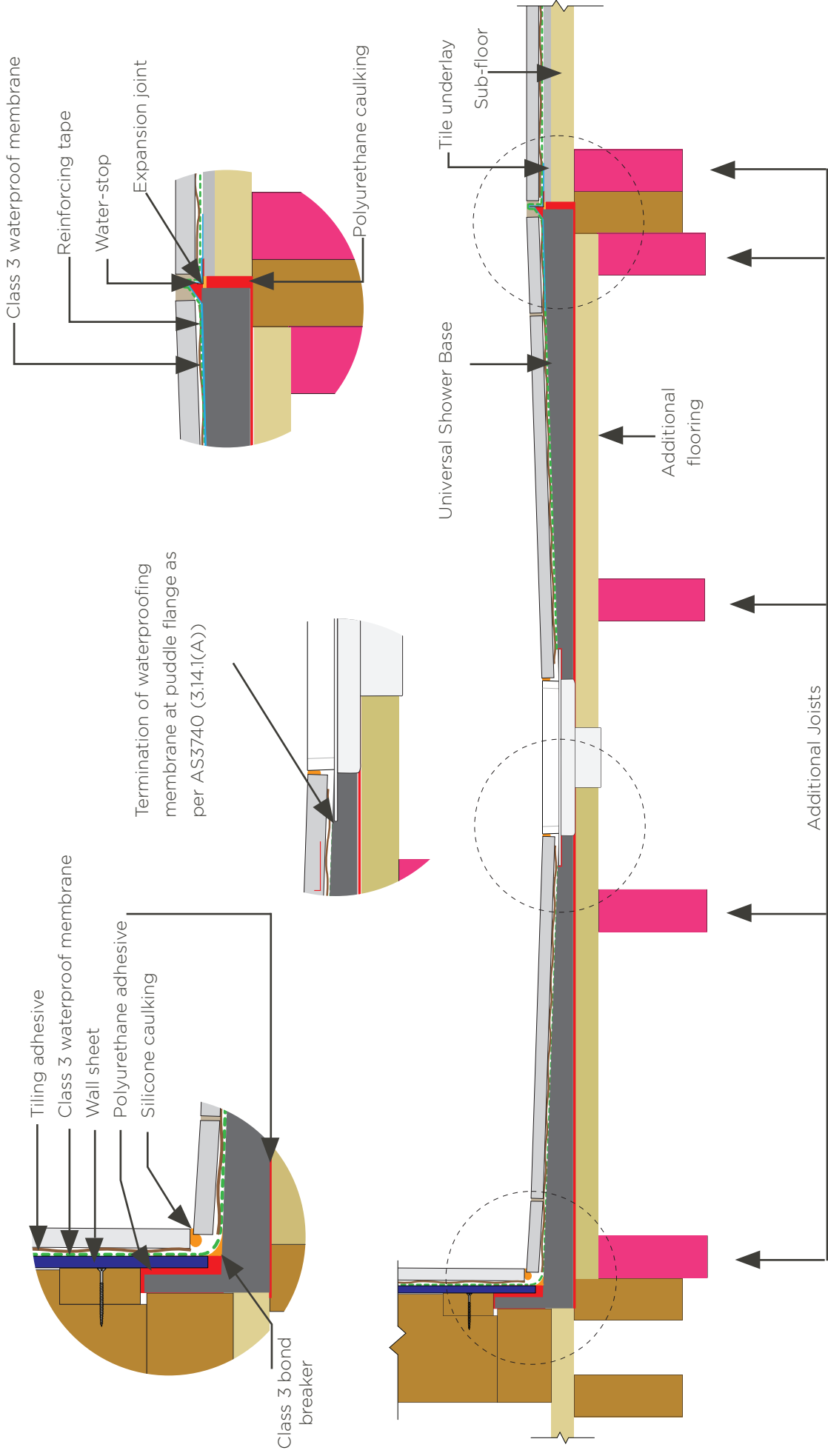


UNIVERSAL HABITAT

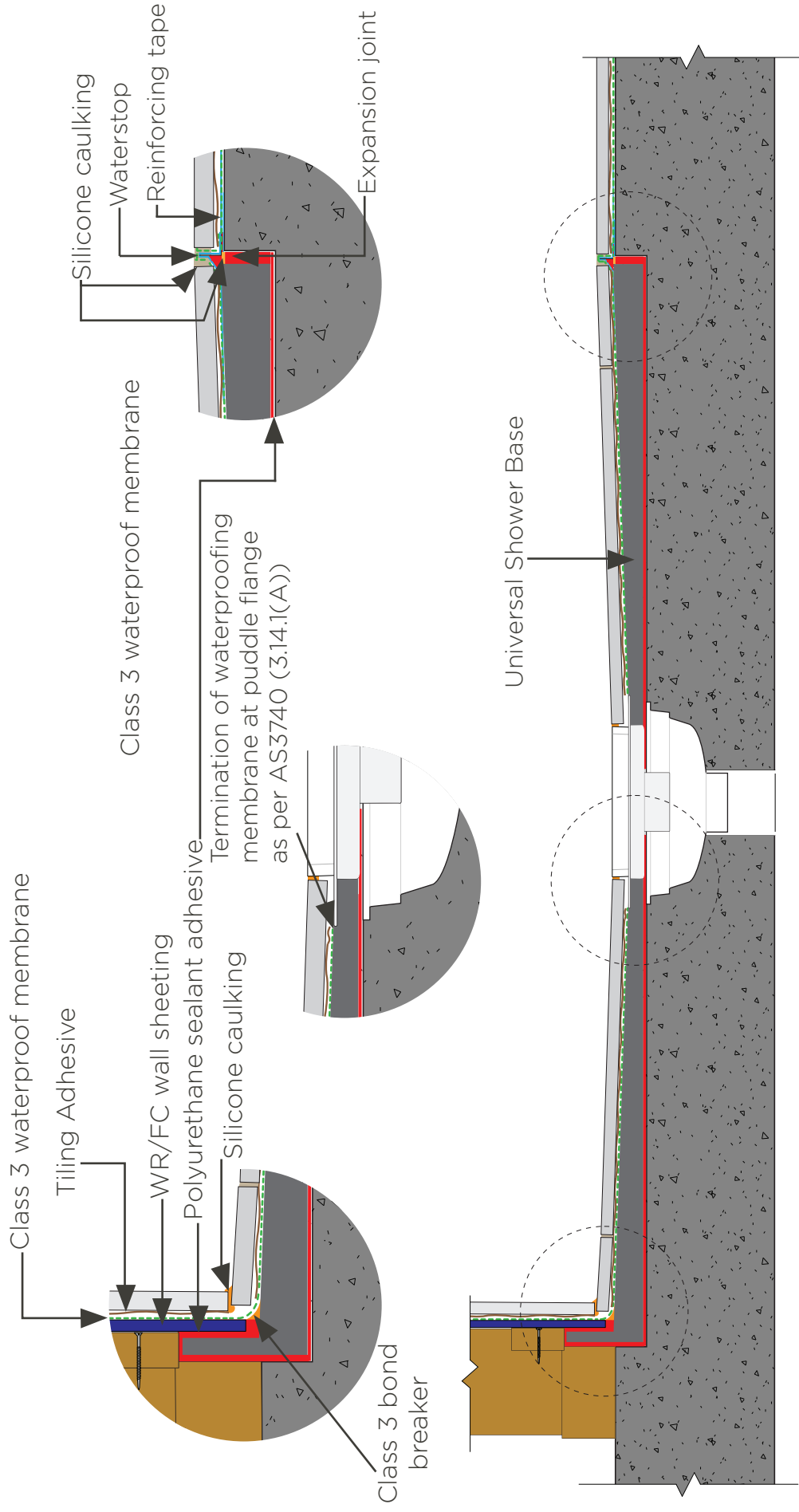
Shower Tray

INSTALLATION INSTRUCTIONS

Installation Overview. Level entry onto Yellow tongue, timber flooring.



Installation Overview. Level entry into slab set down.



Important Information & Simple checks before proceeding

Please read these installation instructions carefully before proceeding.

**SILICONE CAN NOT BE USED TO GLUE BASE DOWN
ONLY USE A POLYURETHANE ADHESIVE/SEALANT**

Always wear the correct PPE (Personal Protective Equipment) for the task you are doing.

If you are unsure about any part of the installation, please contact our Technical Department on:
(03) 9791 8925

Custom made shower bases will vary in thickness. The larger the base the thicker it will be, thicknesses range from 25mm to 55mm and custom base thicknesses will be as per quotation or as ordered/requested.

The shower base thickness plus tiles and adhesives will determine your finished height. If you don't trim the lips you will need additional material to create a hob around the shower base to support a shower screen. (We can supply hob material (at additional cost) to suit your shower base, on request hobs being fully compliant with Regulation, Codes and Standards).

Ensure the shower base you have ordered is the right size and outlet type before installation.

Please check the specification drawings prior to signing off to ensure you are ordering what you require.

Only use adhesives/glues in optimum conditions between 10 °C and 30°C as the product may not perform as intended. Refer to manufactures instructions prior to use.

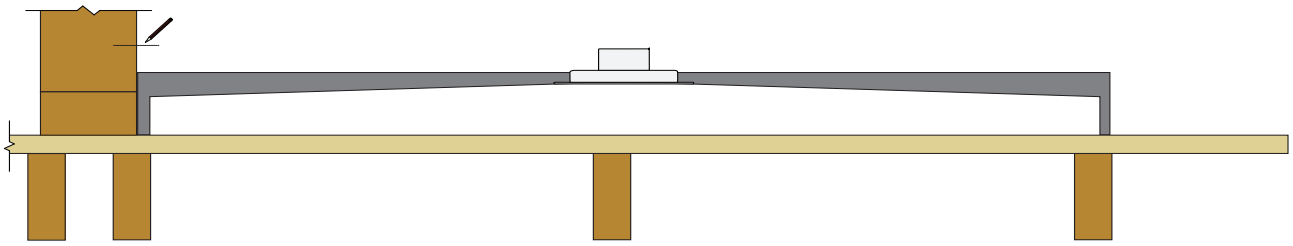
Custom made shower bases are excluded for return/replacement if incorrectly ordered.

Deviation from installation instructions could void manufacturers guarantee.

This product must be fully supported can be installed on timber, concrete or steel joists.

Preparing the shower base area

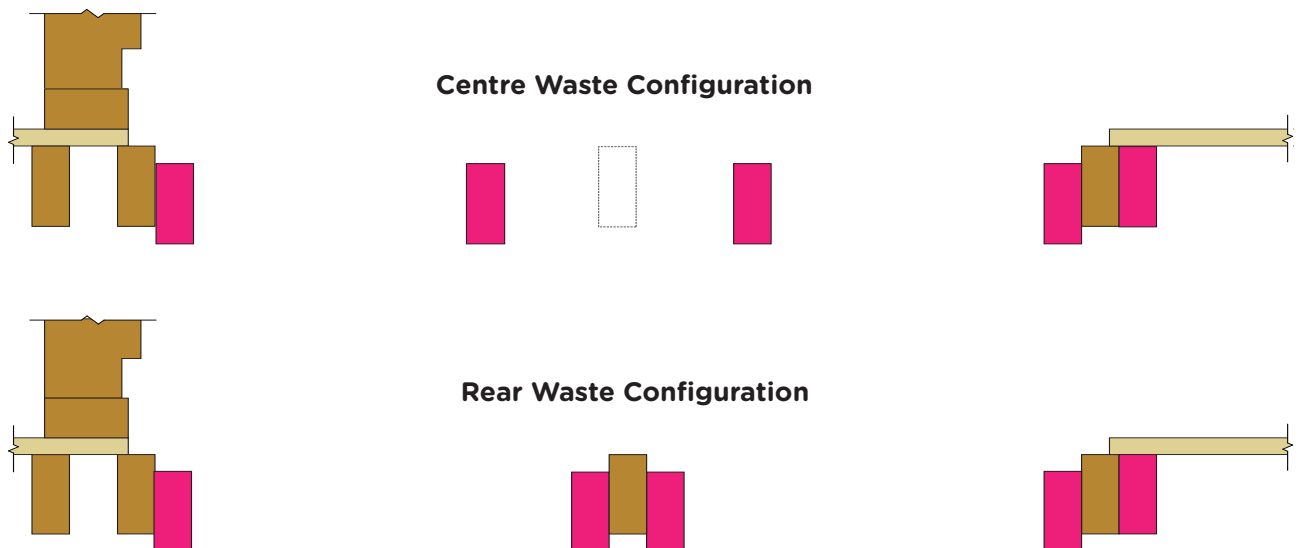
Mark out the base position on both the floor and on the wall studs at a height of 90mm above the existing floor. Prior to cutting the floor, reduce the perimeter of the cut-out by 8mm or by the amount of the check-in.



Cut out the flooring and checkout the wall studs and bottom wall plate.

Please note: In accordance with the AS1684

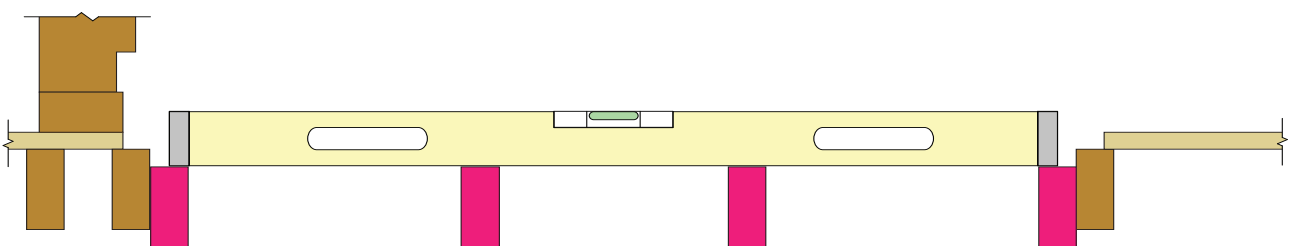
Wall studs to be checked/notched must not be more than 18mm and the bottom wall plate checkout must not be more than 12mm or the up-stand thickness of the base.



If the waste outlet is obstructed by an existing joist, reconfiguration and additional joists may be required to support the base adequately as above. This work to be completed by a licensed trade's person.

Prior to fitting floor back:

Ensure the area on which the base will sit is level. If not, use packers/trim as required.

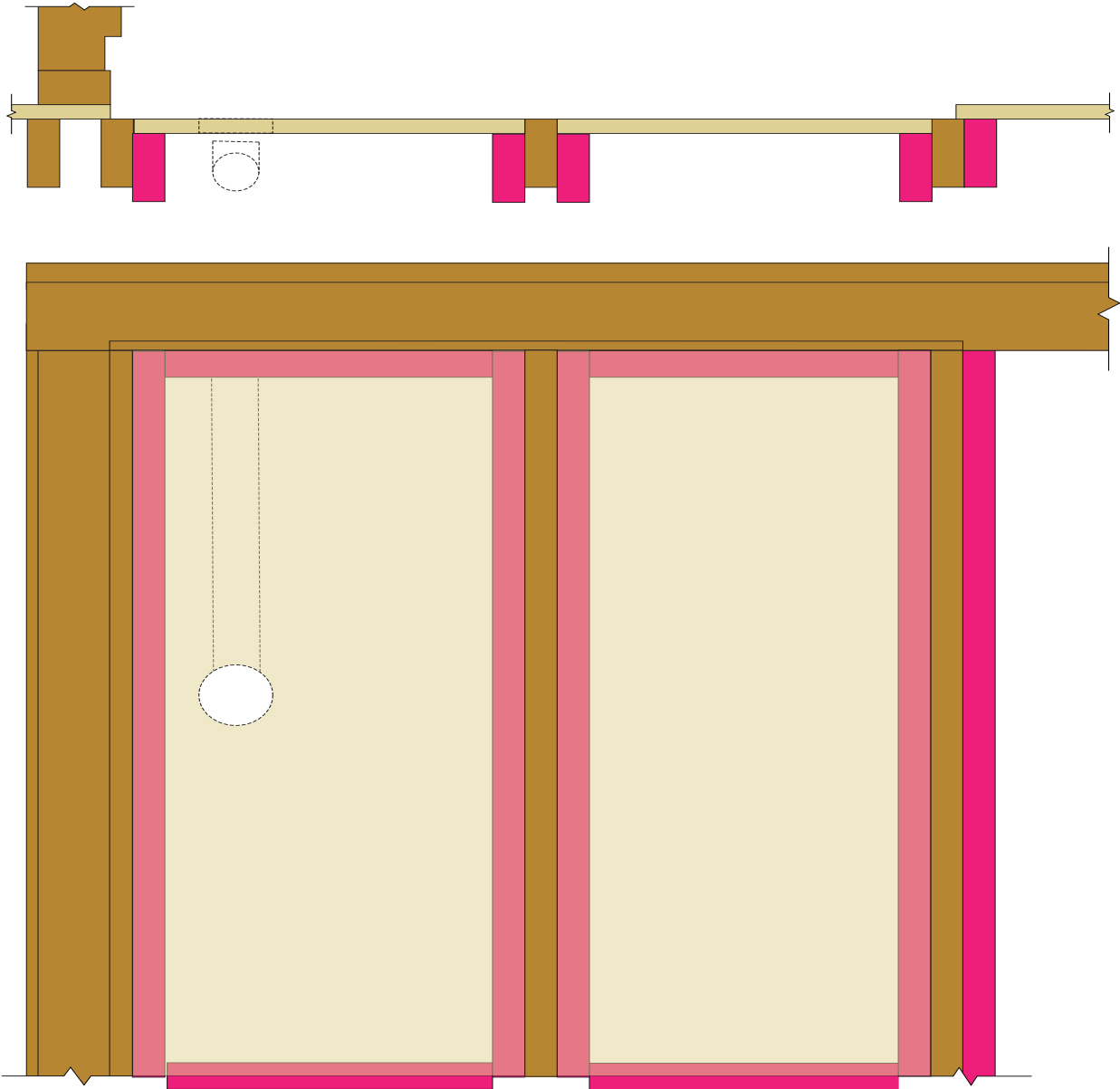


Supporting the shower base

Only fully supported method can be used to support a custom made shower base:

Method 2: Fully Supported

Where the shower base is to be fitted, install trimmers/cleats (90mm × 35mm (F17)) parallel to the floor joists. They should be installed at a height equivalent to the thickness of flooring being used, thus being lower than the existing joists. Flooring is to be fixed with liquid nails and nailed on top of trimmers between the existing joists. Refer to the diagram below.

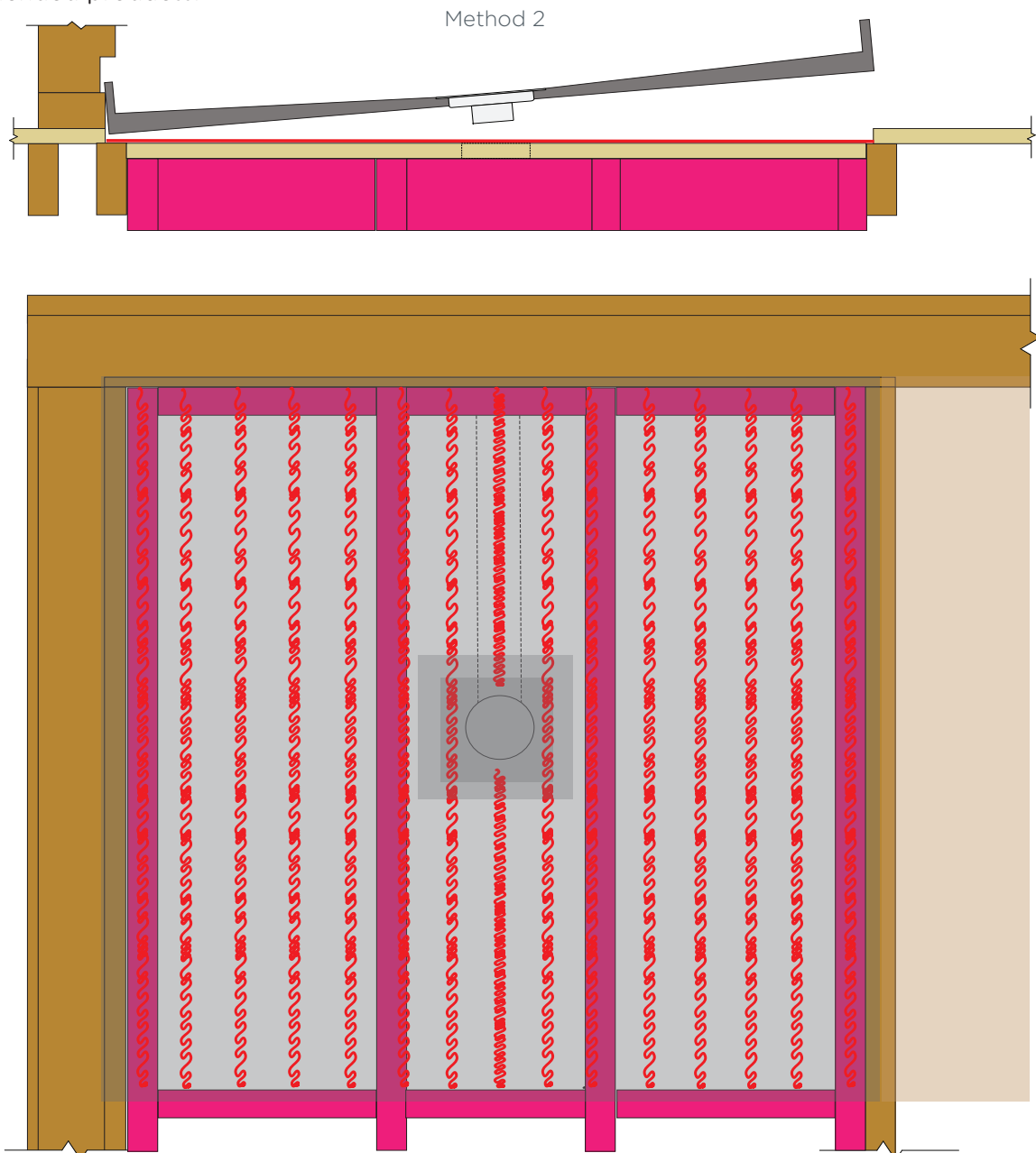


Shower base installation

Note: After completing all necessary timber support work for shower base and prior to gluing base into position, ensure plumbing needed to connect up your shower base is in position and ready for connection. You will also need to remove 2 of the screws in the top of the lips, these would be in the walls once installed and makes harder to trim lip flush with the walls as they are hardened steel.

Apply “polyurethane sealant adhesive” in a continuous snake-like bead minimum 10 mm in diameter, 75mm spacings to exposed flooring as illustrated below. Now place base into position without sliding it across adhesive beads. Weight each corner down, using weights no heavier than 5kg per corner, for a minimum of 24 hours.

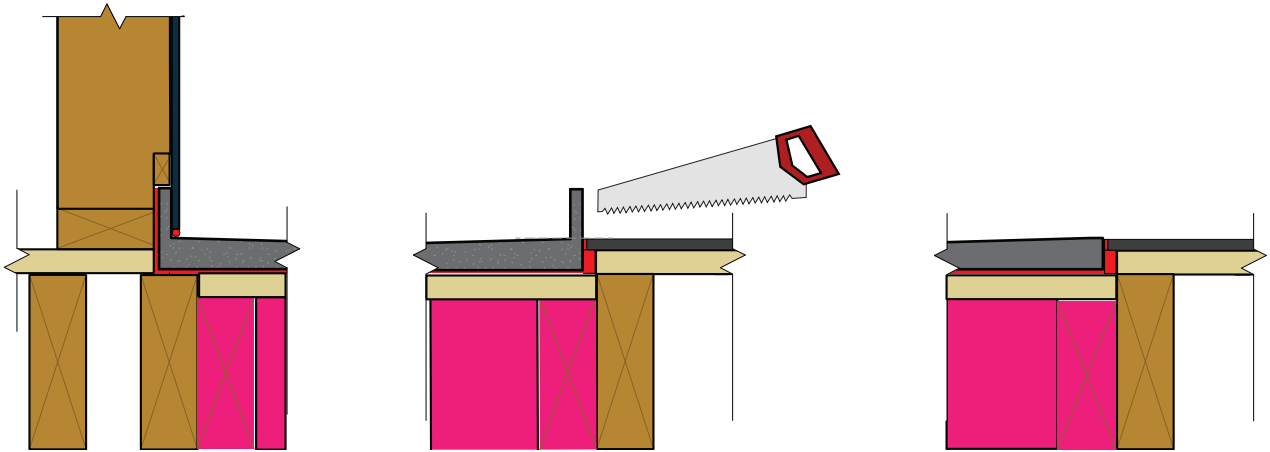
Please refer to our website (www.universalshowerbase.com.au) for a comprehensive list of recommended products.



When laying flooring and tile underlay leave 5-6mm gap between base/flooring/tile underlay to caulk with polyurethane. (Do not use silicone). You should have sanded the shower base sides exposed to room as per instruction at page 2 before fitting base.

After tile underlay is fitted you can trim lips as required

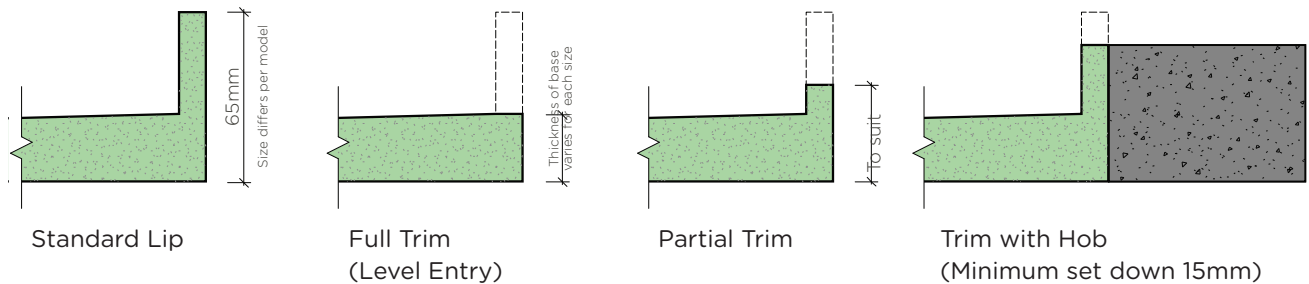
Trimming the Lips



All shower bases come with four lips which can be modified according to design requirements. Modification can be done using a multi-tool, handsaw, hacksaw blade, etc. You must provide water-stops within shower/bathroom area as per AS3740.

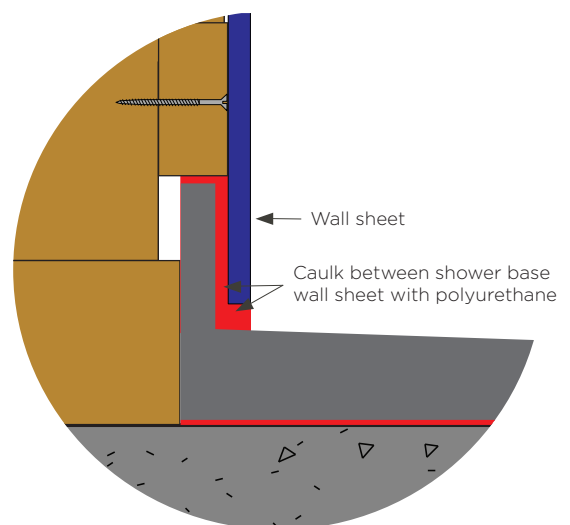
A list of modification options can be seen below. For more detailed instructions please refer to our website.

Trimming Options



Installing wall sheeting (FS or WR plaster)

Allow a 5-6mm gap between the bottom of the wall sheeting and shower base, fixing sheeting as per manufactures specification. Using a polyurethane construction adhesive caulk the 5mm gap between wall sheet, floor and shower base.



Waterproofing and Tiling

Tiling and waterproofing must be done in accordance with the BCA/NCC, relevant standards and in accordance of manufactures instructions.

Our shower bases are water repellent, however they must be waterproofed to comply with current Codes & Standards/(NCC/BCA & AS3740), this will also allow for better adhesion between tile adhesive and membrane. There is a list of waterproof membranes tested with our shower bases on page 10. Though most “polyurethane” waterproof membranes will be compatible. We recommend that a test patch be completed prior to the full application of your selected waterproofing to ensure adhesion. Contact our technical support for further advice if you are unsure.

Notes:

Waterproofing should always be completed by a Licensed Waterproofing professional to comply with Codes & Standards to attain a Certificate of Compliance for building permit and Insurance company compliance.

Waterproofing membrane systems used must meet the requirements of AS3740 by complying with AS/NZ 4858.

It is recommended to use adhesives, glues and waterproof membranes of the same manufacture to ensure any warranty claims if they arise.

Bond breaker tapes/rods/caulking to be used in conjunction with the waterproofing membrane on all internal angles/corners where the shower base meets the wall and floor junctions to meet requirements of current NCC/BCA /AS3740.

Do not block the leak control/puddle flange outlet with waterproofing. The waterproofing can be stopped at the edge of puddle flange meeting AS3740 requirement.

Tiling

Cut your tiles according to the fall of the shower base. Always trowel glues towards the waste, using the correct tile adhesive that corresponds with the waterproofing system that you have used.

By not using the same manufacturer’s recommended product they may not honor their warranties if a claim arises. For information on tiling, please contact a professional tiler.



When troweling tiling adhesive, trowel towards the waste outlet to allow the water to drain away. Do no rake across the base.

Ensure you use the correct size notched trowel for your selected tile.

Important Information

Very Important Information about leak control/puddle flanges

When tiling a common occurrence throughout the industry is that puddle flanges are blocked with tiling material and/or adhesives. This reduces the ability of the flange to drain water from beneath the tile bed, water forms a reservoir under the tiles (called damming) and constant use sees water travel to any point of exit it may find, so the use of water stops prevents water travelling any further than the shower area.

Tiling and waterproofing must be done in accordance with the BCA/NCC and other relevant standards.

Adhesive and grouts

Most cement based products including grouts and adhesives are porous to some extent. This allows a minimal amount of water to penetrate the grout and below the tiles, which is normal and allows the puddle flange to perform as intended to drain water.

Water likes to travel

Please remember to always trowel glues towards the waste do not rake across the base. Do not block/fill the puddle flange with tiling adhesives, grout or silicones. Any water absorbed into the grout or that travels through the tile bed, needs to drain down the waste outlet.

Notable standards to consider

AS1684 Residential timber framing construction – All parts

AS2870 Slabs and footings

AS1860/1860.2 Particleboard flooring/installation

AS2269 Plywood – Structural

AS3740 Waterproofing of domestic wet areas

AS3958 Ceramic tiles – All parts

Standards & Tolerances 2015

http://www.vba.vic.gov.au/__data/assets/pdf_file/0020/29063/Guide-to-Standards-and-Tolerances-2015.pdf

Recommended Waterproofing Products

The following membranes have been used and tested with our shower bases.

These are all Class III Membrane, as per AS/NZS 4858 Wet Area Membranes.

Crommelin Shower Waterproofing Membrane (refer to manufacturer's instructions) no primer require with this product.

ASA Dampfix Gold.

Davco K10 Plus used in conjunction with Sikalastic Moisture Seal.

Ardex WPM 155 Rapid used in conjunction with WPM 300 Primer

Always refer to manufacturer's instructions prior to use.

Recommended Polyurethane Adhesive/Sealant

Bostic Seal "N" Flex FC

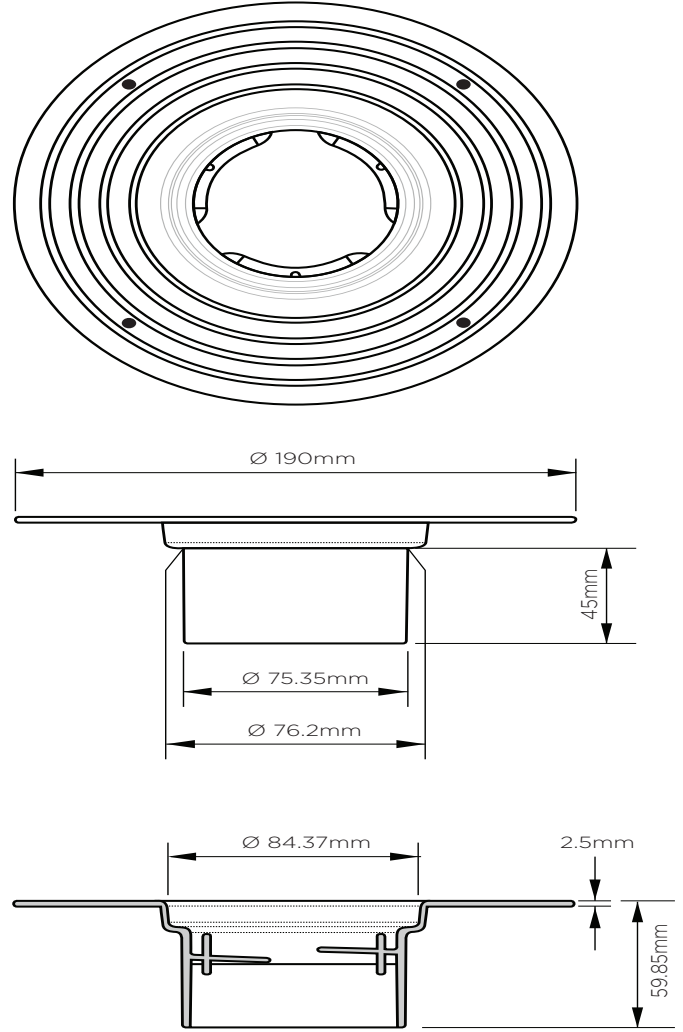
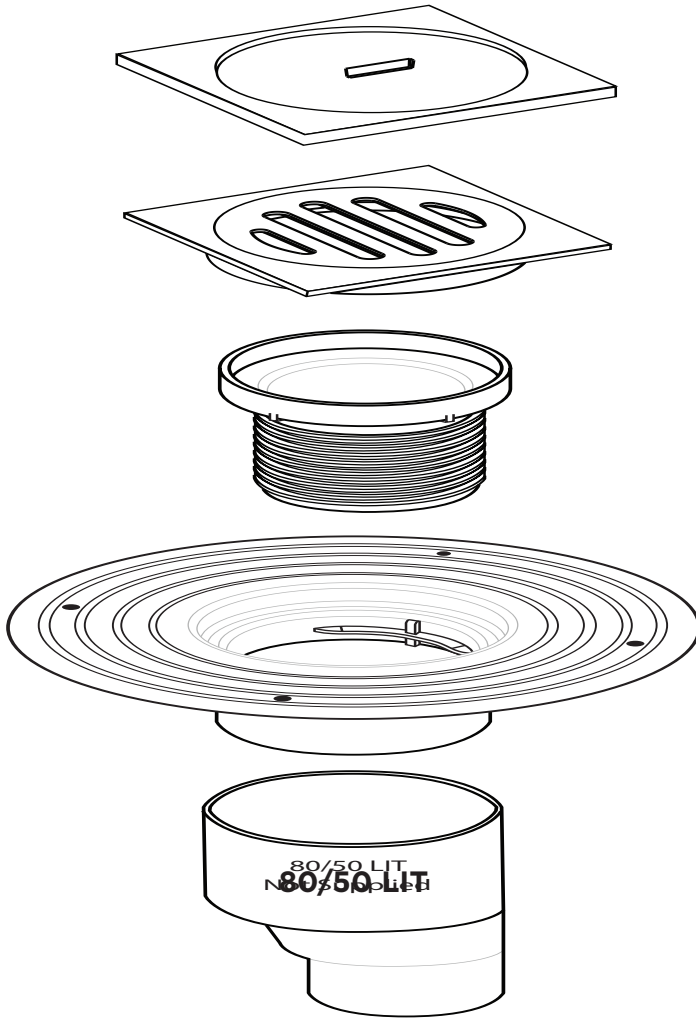
Sikaflex 11FC

Sikaflex 291

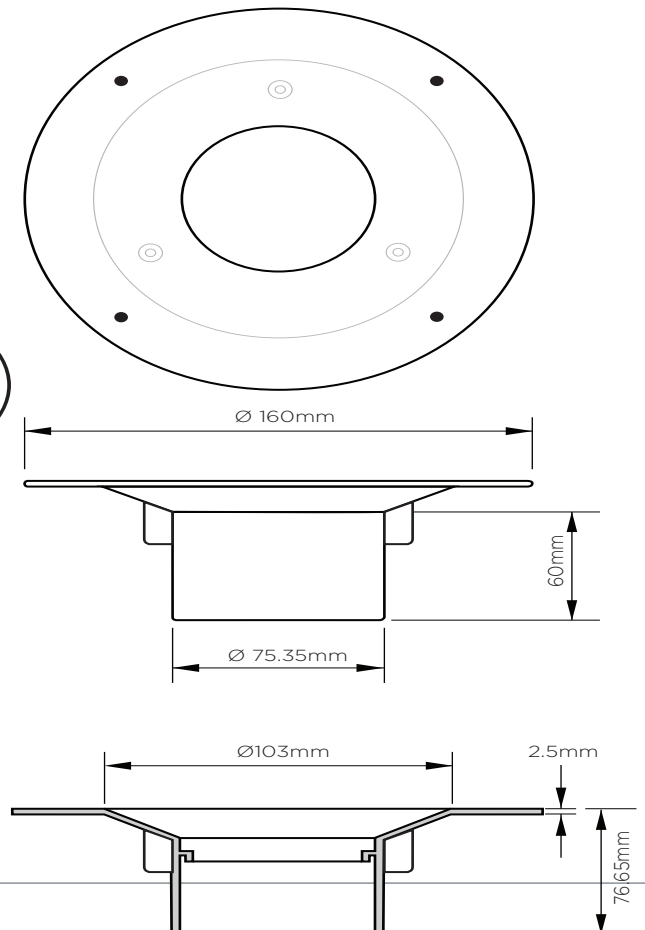
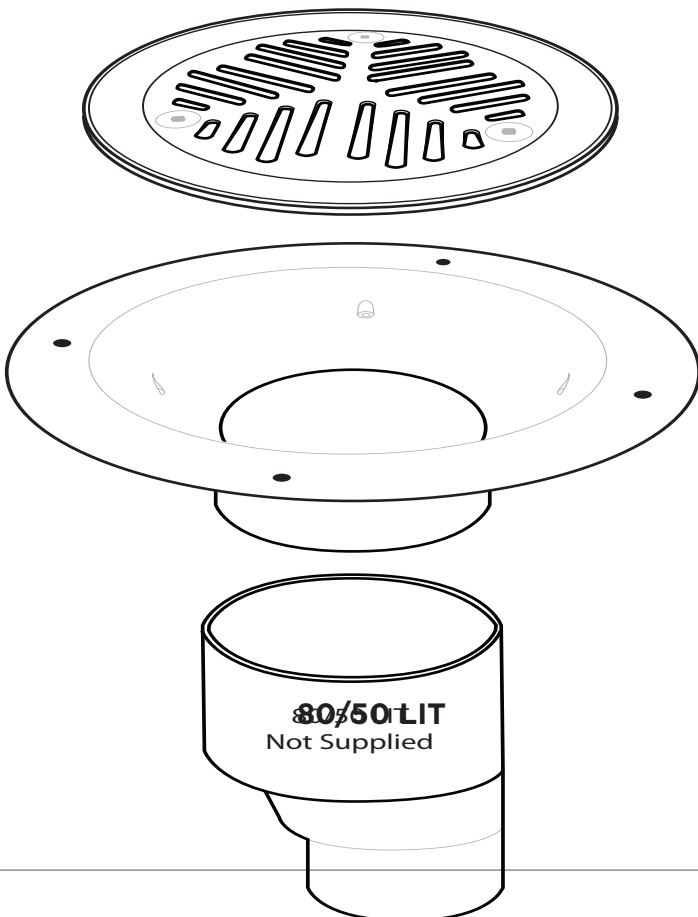
Sikaflex Pro will need 24hrs per 3mm cure time (72hrs before you can walk on base)

Selly's Liquid Nails DIRECT STICK or HIGH STRENGTH (To be used with timber substrate only).

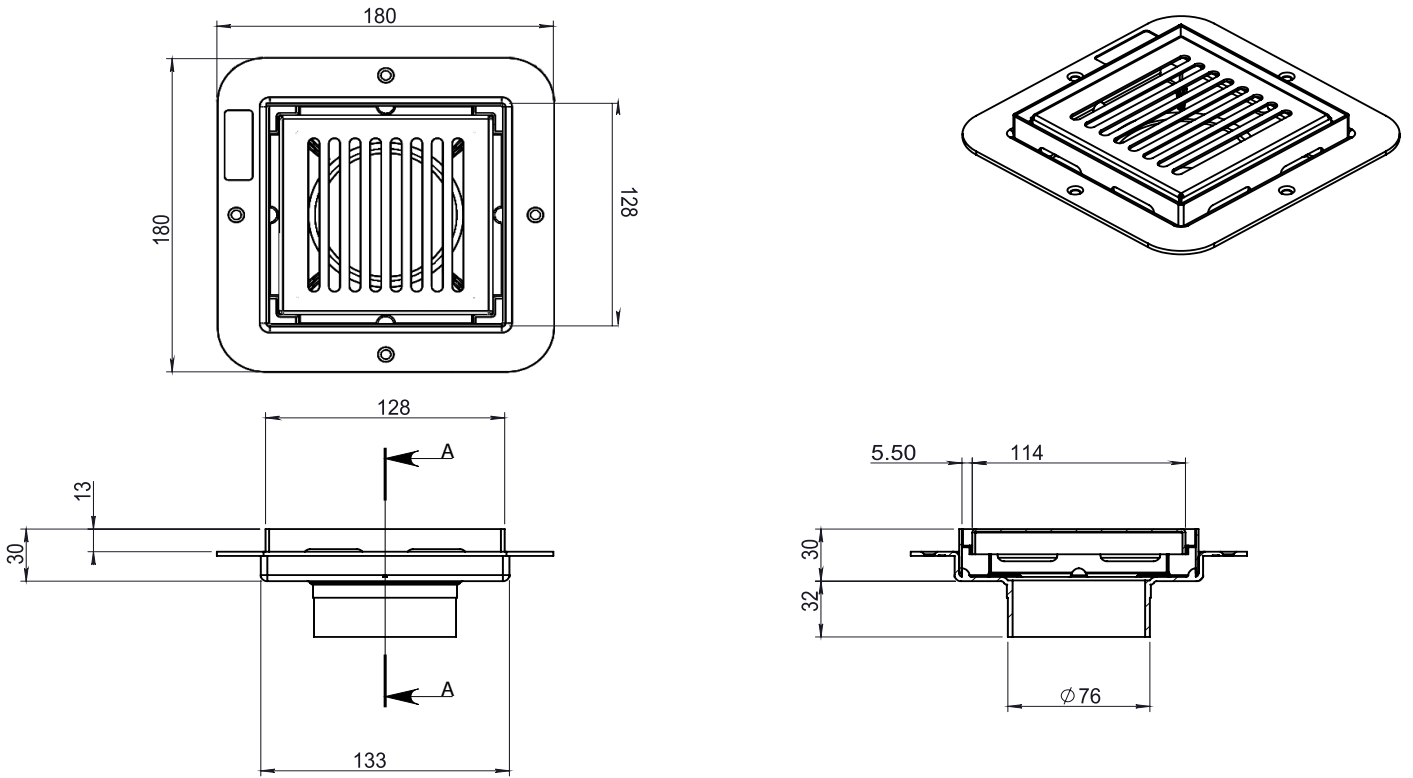
Twist Top Puddle Flange DN80mm Chrome Grate (TTPF)



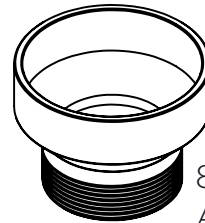
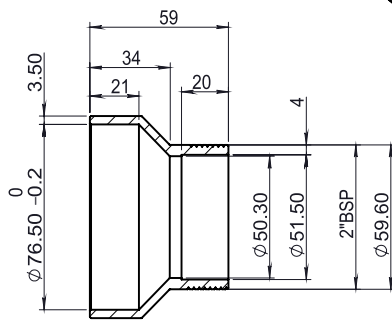
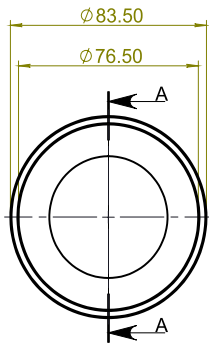
Vinyl Waste DN80mm



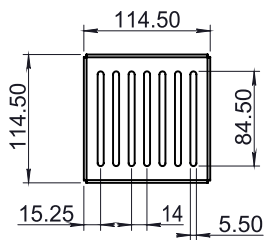
TCI Smart waste



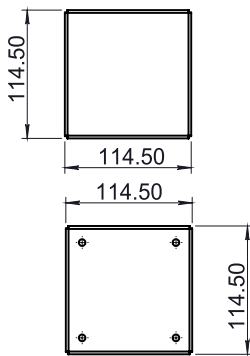
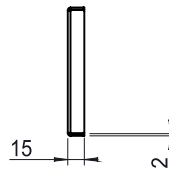
We chemically welded this to waste prior to dispatch.



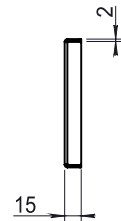
80mm Spigot Adaptor to 50mm thread to connect to trap.



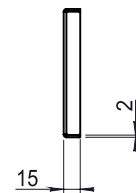
Centre/Rear
Q
Slotted Lid



Centre/Rear
P
Stainless Steel Lid

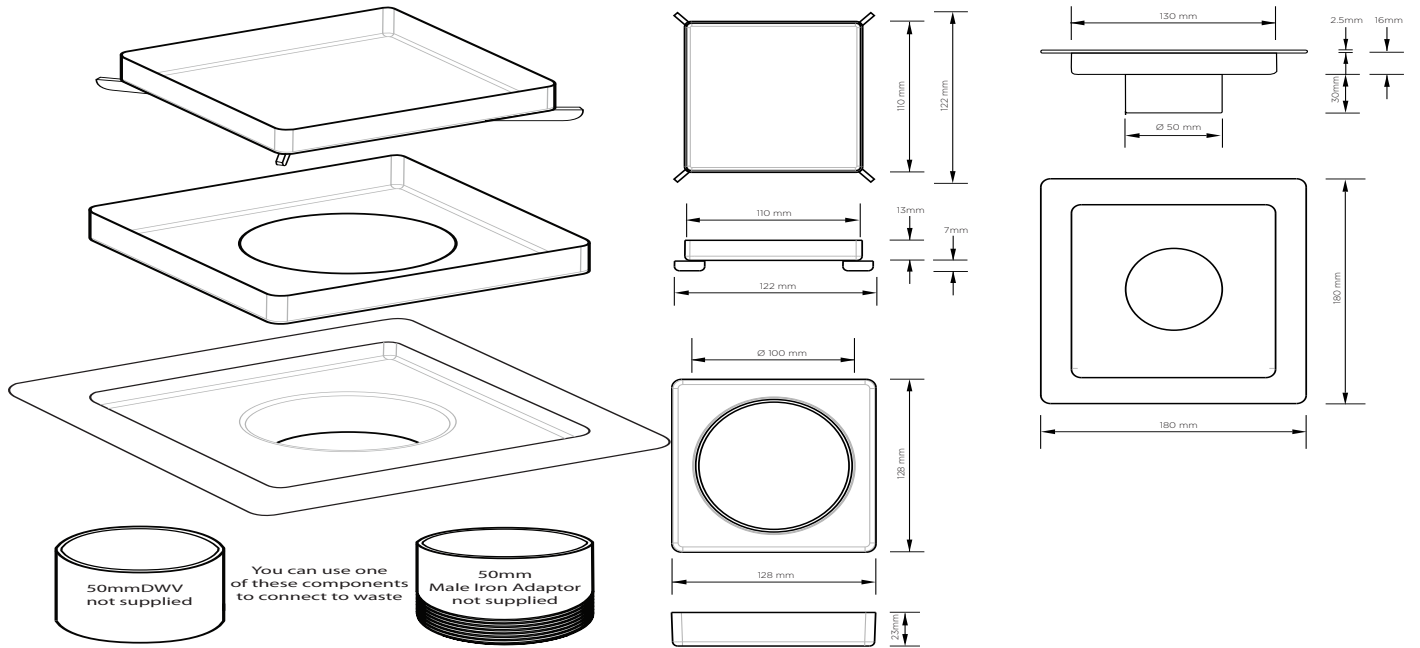


Centre/Rear
S
Tile Insert

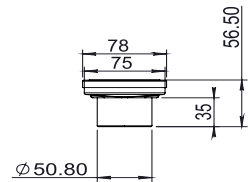
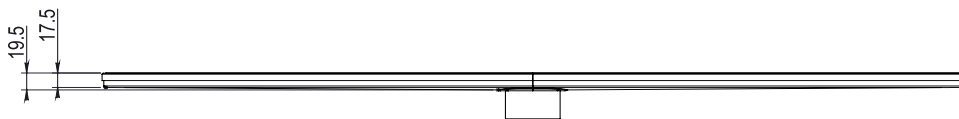
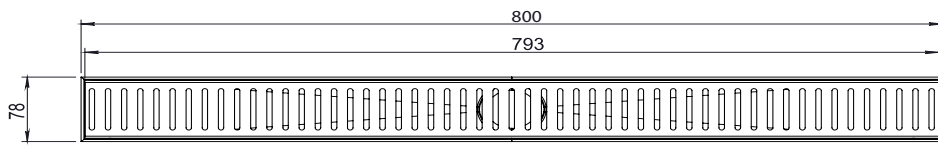
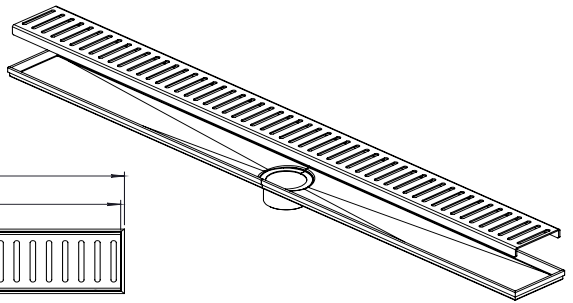


← Insert Options

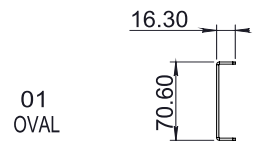
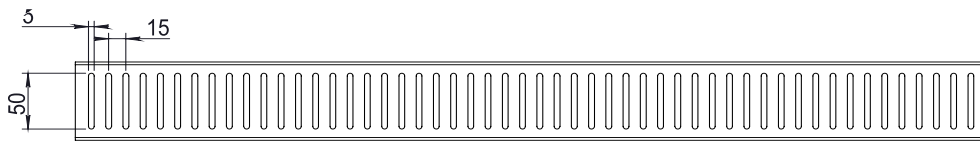
Plastec Smart Tile



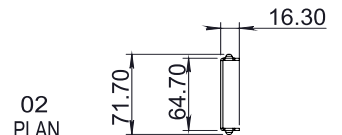
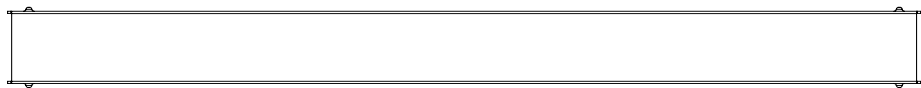
Channel Grate, 800mm OG illustrate



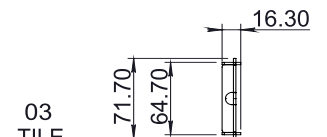
Channel Grate Lid Options



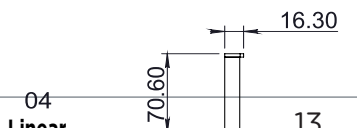
01
OVAL



02
PLAN



03
TILE



04
Linear

13

MADE BY__UNIVERSAL

Built with care.

We avoid wasteful paper usage and encourage
you to explore our range of products online.

03 9791 8925
INFO@UNIVERSALHABITAT.COM
315 TOORADIN STATION RD, TOORADIN VIC 3980

UNIVERSAL HABITAT